



WECHAT



WEB

Welcome to HEARKEN

Actuators and Controls

**Hearken
Here We
Can**

The Trusted, Passionate and focused Partner in Valve Automation

At HEARKEN FLOW, The founding principle of Hearkenflow is simple: to Listen our customers needs first, to develop the innovative valve actuators solutions , to meet the unique needs of our customers, Along the way, To help our customers to solve the problems in Valve Automation. We are growing our brand in Pneumatic and Electric Actuators, Accessories..



WHY WE ARE DIFFERENT

We offer a complete valve automation solution by the applications experience and customization capabilities, with an experienced support team to guide you in selection, installation, and project support. In addition we maintain an extensive supply of product inventory on hand so that we can quickly fulfill orders and reduce wait times. Our sales and support staff are readily available and accessible so that customers get the answers they need quickly.



Experienced team



Large inventory



Convenient consultation

THE TARGET WE ARE PURSUING



High-quality



low cost



Reliable solution

- To built A strong Reputation in Providing Quality, Cost Effective , Reliable And Robust Performance Solutions for Valve Automation,
- Included Pneumatic Actuators, Electrically Actuators, Actuated Valves.



COMMITMENT TO QUALITY

At HEARKEN FLOW means performance, All products manufactured by HEARKEN FLOW are warranted against defects in material and workmanship for a period of 18 months from the day of startup. Each of our products are tested at the factory. we are confident that our products meet or exceed all applicable standards before they ever leave our facility. We are an ISO 9001-2008 certified company. Our Valve Actuators Has Applied for SIL3 Certificate, ATEX Certificate ,CE, Explosion-proof Certificate, IP68 Weather proof etc....

HPA Series Pneumatic Actuator With Handwheel

— Rack & Pinion Design

Description



Pneumatic actuator is pre-lubricated and tested to a minimum one million operations. Actuators are available in double-acting and spring return models. They meet international ISO 5211 standards for easy valve mounting and replacement. A visual position indicator will monitor the open and closed position.



Main Product features



- Extruded Aluminum Body
- Die-Cast Aluminum End Caps
- Position Indicator with Namur Slot
- Blow-Out Proof Pinion
- Dual Opposed Rack Pistons
- Adjustable Travel Stop[s]
- Namur Solenoid Mount Design



Quick and Safe manual switching
The manual lock is a spring stop pin. Pull out the pin and rotate 45° to unlock and start manual operation. Rotate the handwheel to pneumatic mode position, the stop pin will work and handwheel operation stopped.

Working Pressure



Standard Temperature: -20~+80 Degree
Low Temperature: -50~+80 Degree
High Temperature: -15~+150

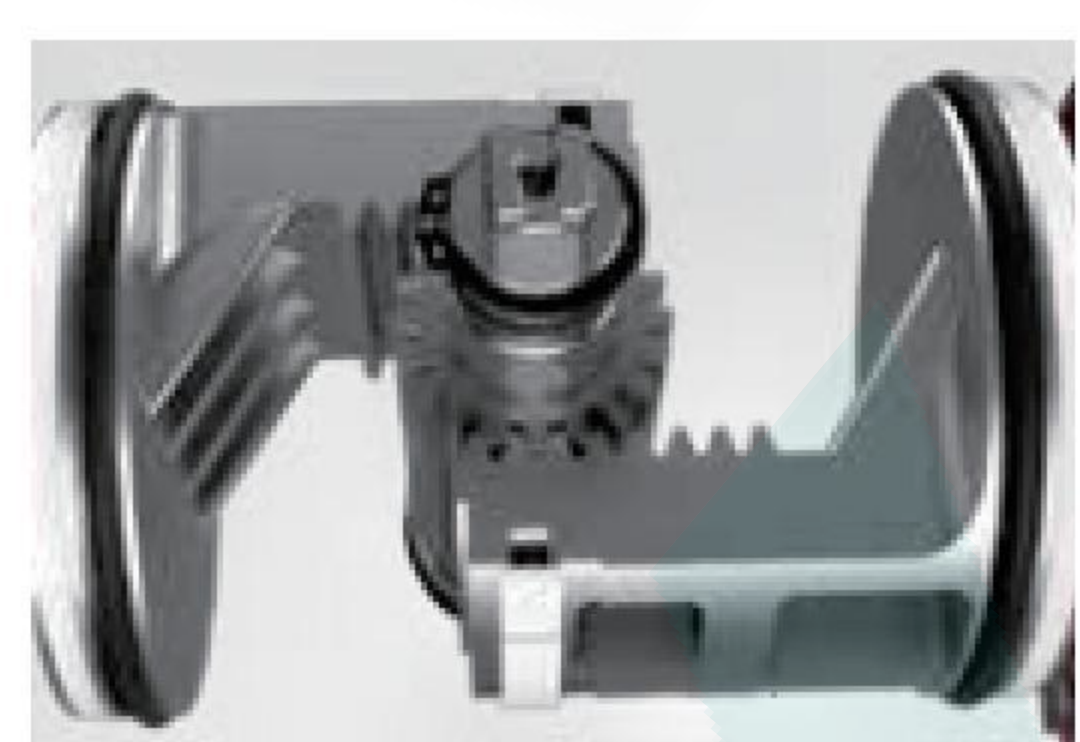
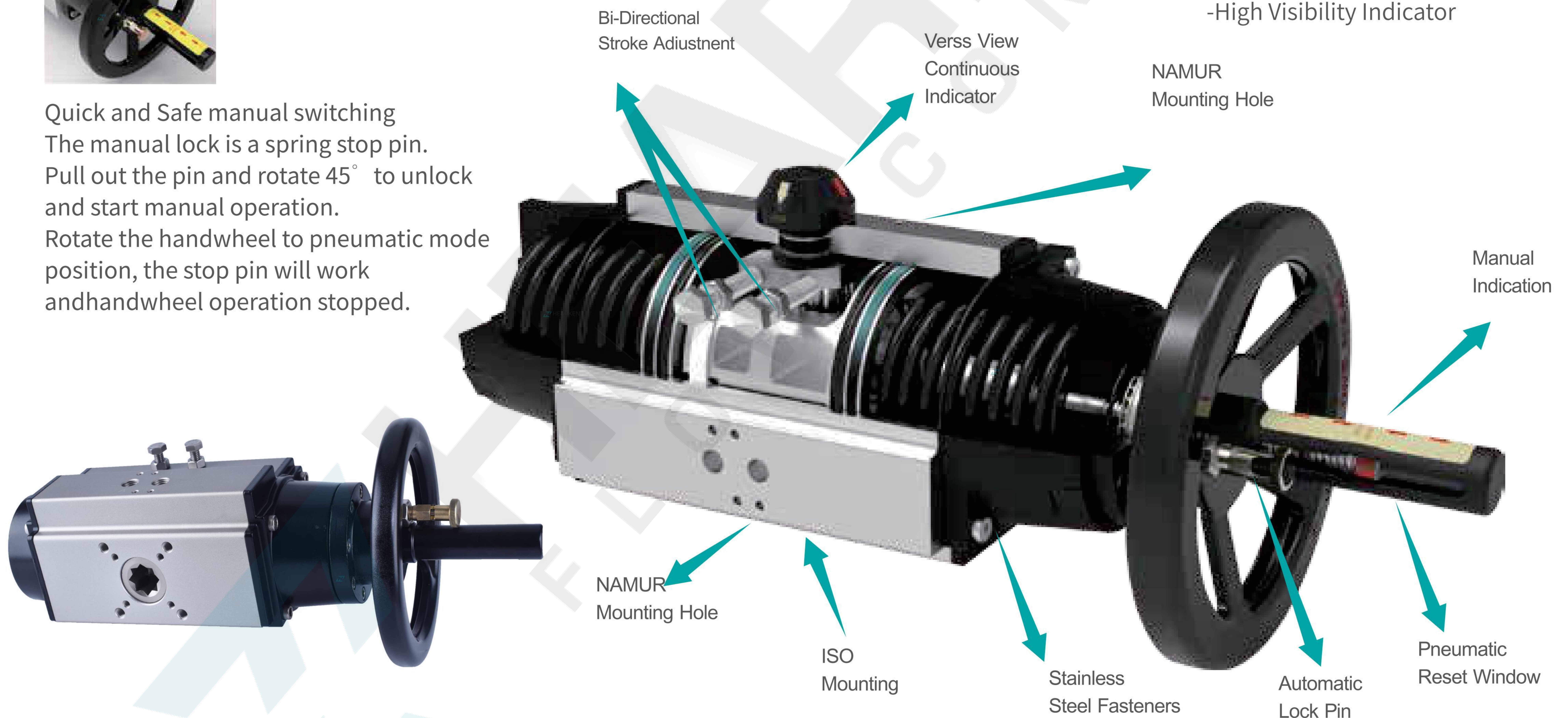
Testing for all actuators



All actuators manufactured by HHEARKEN are individually tested. Testing is carried out to check the leakage in both internal and external. The angle of rotation and Torque values. All bodies are stamped with year, month of production, size and serial number.

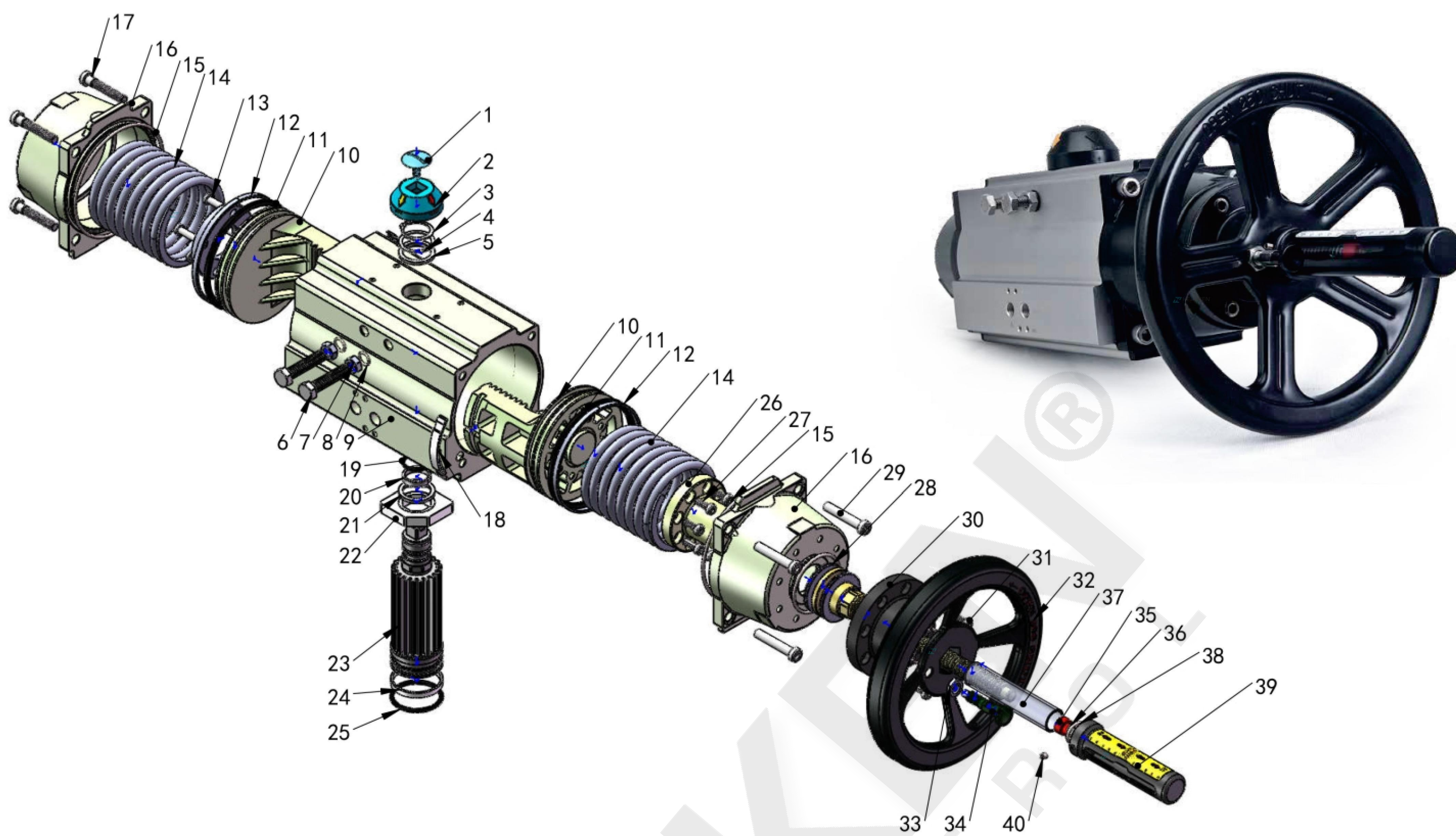
Range of Standard Accessories are Available for Direct Mounting

- Solenoid Valve
- Limit Switchboxes
- Electro-pneumatic Positioner
- Decouplable Manual Override Gearbox
- High Visibility Indicator



Output Shaft: The one-piece high precision output shaft is made by alloy steel and chrome coated. It complies with NAMUR, ISO 5211 and DIN 3337 at the same time. Customized dimensions and materials are available.

Piston: The double piston rack is made by aluminum alloy steel hard anodized or Stainless Steel, move fast and with long service time. Rotation direction can be changed simply by reversing the piston.



No.	Description	Material	Qty
1	Indicator Screw	ABS	1
2	Position Indicator	ABS	1
3	Spring Clip	Stainless Steel 304	1
4	Metal Washer	Stainless Steel 304	1
5	Outer Washer	Engineering Plastic	1
6	Adjust Screw	Stainless Steel 304	2
7	Nut Adjust Screw	Stainless Steel 304	2
8	Washer Adjust Screw	Stainless Steel 304	2
9	Body	Extruded Aluminum Alloy	1
10	Piston	Die Cast Aluminum Alloy	2
11	O-ring Piston	NBR (VITON or EPDM on request)	2
12	Bearing Piston	Engineering Plastic	2
14	Spring Group	Spring Steel	0~12
15	O-ring End Cap	NBR (VITON or EPDM on request)	2
16	End Cap	Cast Aluminum/Polyester Paint	2
17	Cap Screw	Stainless Steel 304	8
19	InnerWasher	Engineering Plastic/ Hard Anodized	1
20	O-ring Pinoin Top	NBR (VITON or EPDM on request)	1
21	Bearing Pinoin Top	Engineering Plastic	1
22	Travel Stop	Alloy Steel	1
23	Pinion	Alloy Steel (Electroless Nickel Plated)/ SS304 is Optional	1
24	Bearing	Engineering Plastic	1
25	Bearing Pinoin Bottom	NBR (VITON or EPDM on request)	1

Copyright ownership belongs to **HEARKEN®** shall not be reproduced, copied, or used in other ways without permission otherwise we will have the right to pursue legal responsibilities.

Output Torque of Double-Acting Actuators

(Unit:Nm)

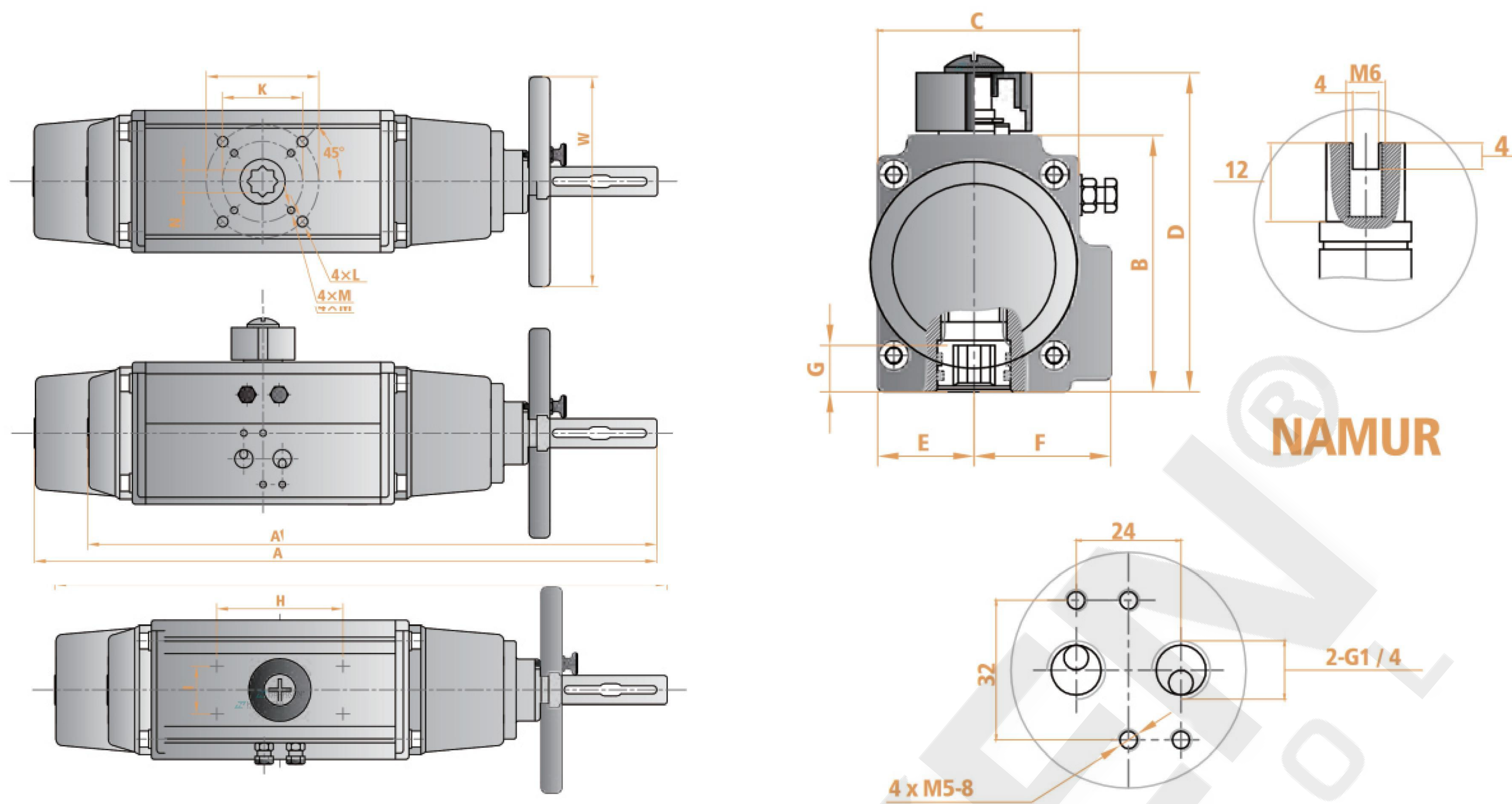
MODEL	Input Air Supply Pressure In Bar										
	2	2.5	3	3.5	4	4.5	5	5.5	6	7	
HPA063DA	14.5	18.1	21.7	25.4	29	32.7	36.3	39.9	43.5	50.8	58.1
HPA075DA	20.6	25.7	30.9	36	41.1	46.3	51.4	56.6	61.7	72	82.3
HPA083DA	31.5	39.4	47.2	55.1	63	70.9	78.7	86.6	94.5	110.2	126
HPA092DA	46.4	58	69.6	81.2	92.9	104.5	116	127.7	139.3	162.5	185.7
HPA105DA	67.2	84	100.8	117.6	134.4	151.2	168	184.8	201.6	235.2	268.8
HPA125DA	104.8	130.9	157.1	183.3	209.5	235.7	261.9	288.1	314.3	366.3	419
HPA140DA	179.2	224	268.8	313.6	358.4	403.2	448	492.8	537.6	627.2	716.7
HPA160DA	273.1	341.3	409.6	477.8	546.1	614.3	682.6	750.9	819.1	955.6	1092.2

Output Torque of Spring Return Actuators

Unit:N.m

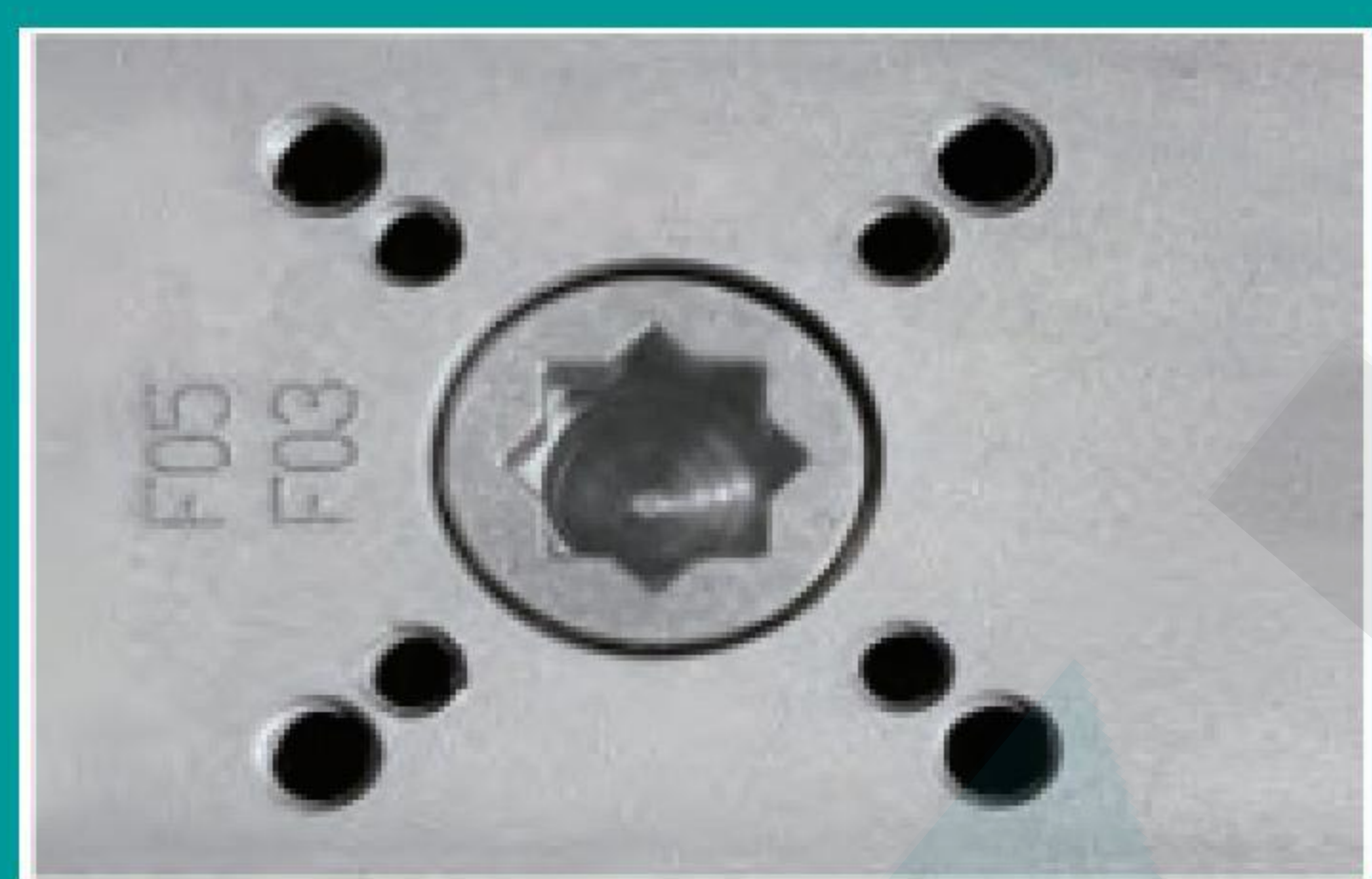
Output torque of air springs												Spring's output	
Air pressure		4BAR		5BAR		6BAR		7BAR		8BAR			
Model	Spring Qty.	0 q	90 q	0 q	90 q	0 q	90 q	0 q	90 q	0 q	90 q	90 q	0 q
		Start	End	Start	End	Start	End	Start	End	Start	End	Start	End
HPA063SR	2	14.5	8.2	22.8	15.6	30	22.8	37.3	30.1	44.7	37.4	17.9	13.7
HPA075SR	2	19	11.1	28.8	21.2	39	31.2	49.1	41.2	59.1	51.2	30.3	22
HPA083SR	2	31	16.6	46.7	32.3	62.4	48	78.1	63.7	93.8	79.3	44.5	32.6
HPA092SR	2	43.6	21.5	66.2	44.1	88.8	66.7	111.3	89.2	134	111.8	67	48
HPA105SR	2	68.9	33.4	102	66.5	135.1	99.6	168.2	132.6	201.2	165.7	81	61
HPA125SR	2	96	44	146	94	196	144	247	194	297	245	150	105
HPA140SR	2	170	84	256	169	341	255	427	340	512	426	249	172
HPA160SR	2	253	115	386	248	519	381	652	514	785	647	410	284

Copyright ownership belongs to shall not be reproduced, copied, or used in other ways without permission otherwise we will have the right to pursue legal responsibilities.

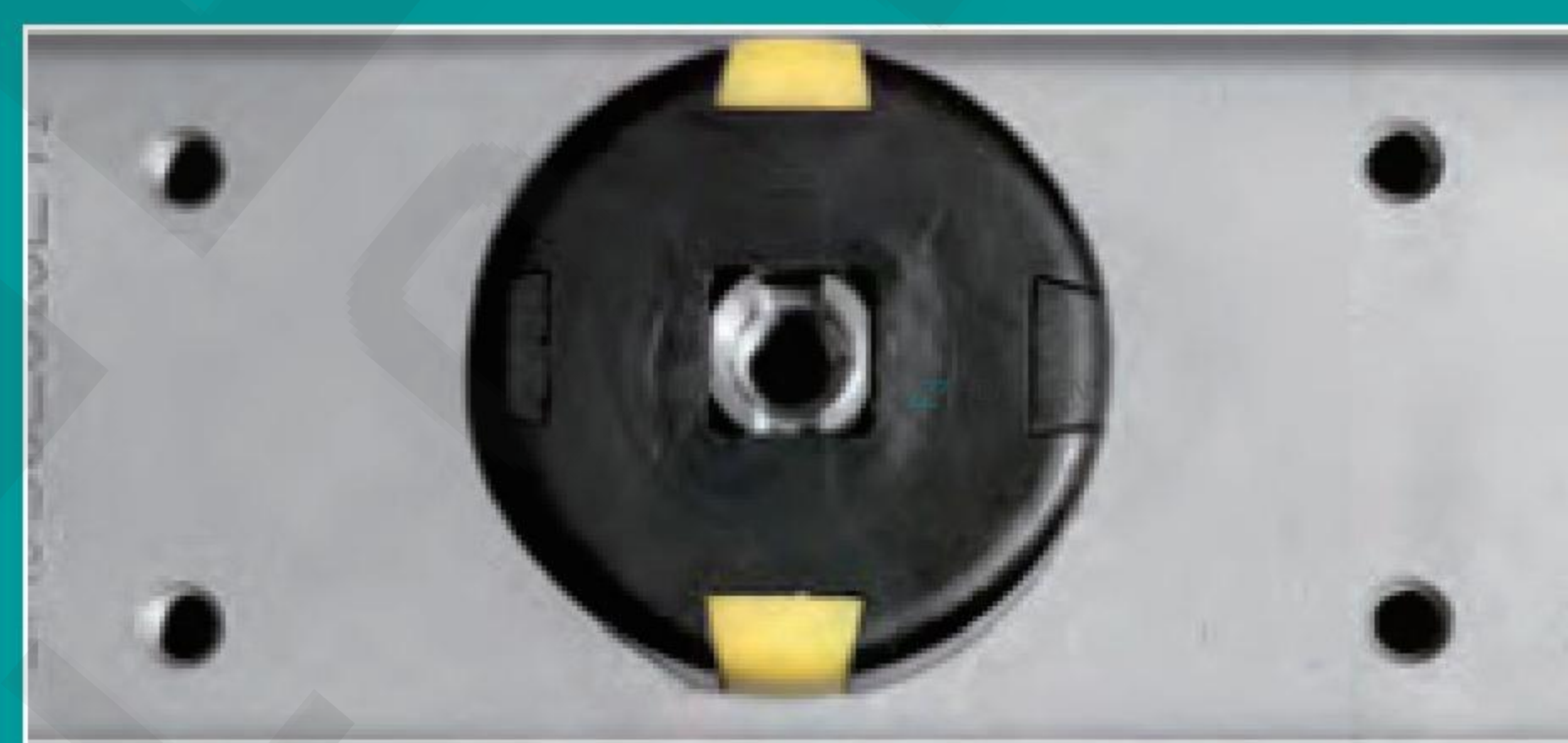


Model	A Single	A1 Double	B	C	D	E	F	G	H	I	N	W	J	K	L	M	Air Connection
HPA063SR	322	305.5	87.5	72	107.5	36	47	18	80	30	14	160	Φ70	Φ50	M8×13	M6×10	NAMUR G1/4"
HPA075SR	339	325	100	81	120	42	53	18	80	30	14	160	Φ70	Φ50	M8×13	M6×10	
HPA083SR	382	364	108.7	92	128.7	46	57	21	80	30	17	160	Φ70	Φ50	M8×13	M6×10	
HPA092SR	452.5	439.5	117	98	137	50	58.5	22	80	30	17	160	Φ70	Φ50	M8×13	M6×10	
HPA105SR	495	461.5	133	109.5	153	57.5	64	26	80	30	22	200	Φ102	Φ70	M10×16	M8×13	
HPA125SR	555	516	155	125.5	185	67.5	74.5	26	130	30	22	250	Φ102	Φ70	M10×16	M8×13	
HPA140SR	645	618	173	137.5	202	75	77	32	130	30	27	250	Φ125	Φ102	M12×20	M10×16	
HPA160SR	791	754	197	158	227	87	87	34	130	30	27	300	Φ125	Φ102	M12×20	M10×16	

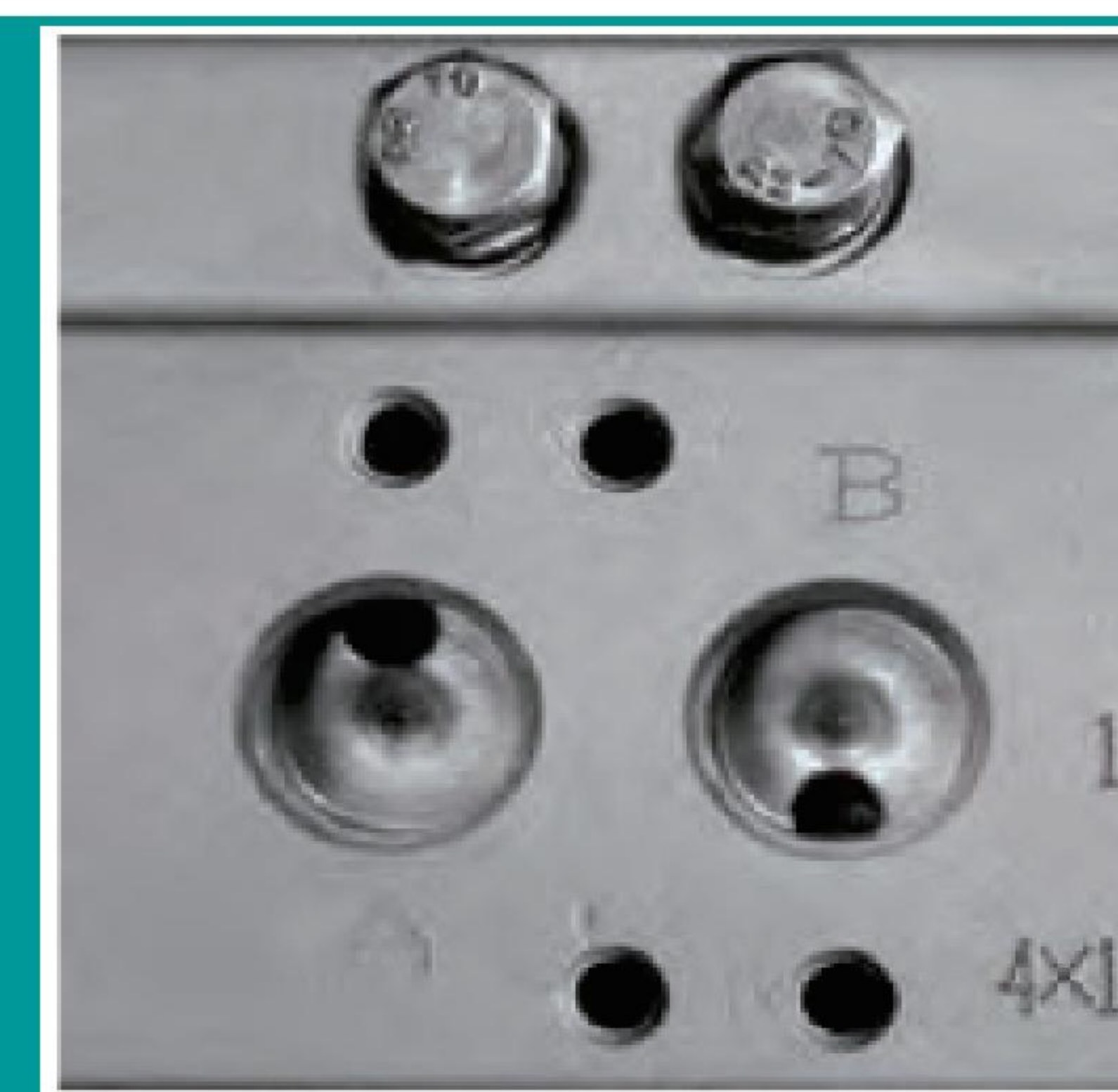
Interface Specification



Drive and Flange to ISO 5211 configuration for easy direct mount onto a valve or connection with standardized mounting hardware.



The NAMUR Drive Pinion and NAMUR top mounting connection for direct installation of accessories such as Limit Switch and Positioner.



Air supply connection is designed in accordance with NAMUR Standard to install solenoid valve.